

## Gas Chromatography/ Mass Spectrometry

### Features and Benefits

- 12 parts make up EI source
- SMARTsource rebuilt in minutes
- Remove SMARTsource with the twist of a wrist
- Marathon filament has a long life even under the most difficult chromatography conditions and is engineered for maximum durability and optimum performance



## SMARTsource™ with Marathon Filament for Clarus SQ 8 GC/MS Systems

Capable of both EI and CI ionization, the SMARTsource (Simplified Maintenance And Removal Technology) on the Clarus® SQ 8 GC/MS has been designed for ultimate simplicity, flexibility and productivity.

Switching sources can be done in a matter of seconds by simply twisting and pulling – no tools required, no wires to disconnect. Cleaning the source is equally easy and can be performed by the user. So even

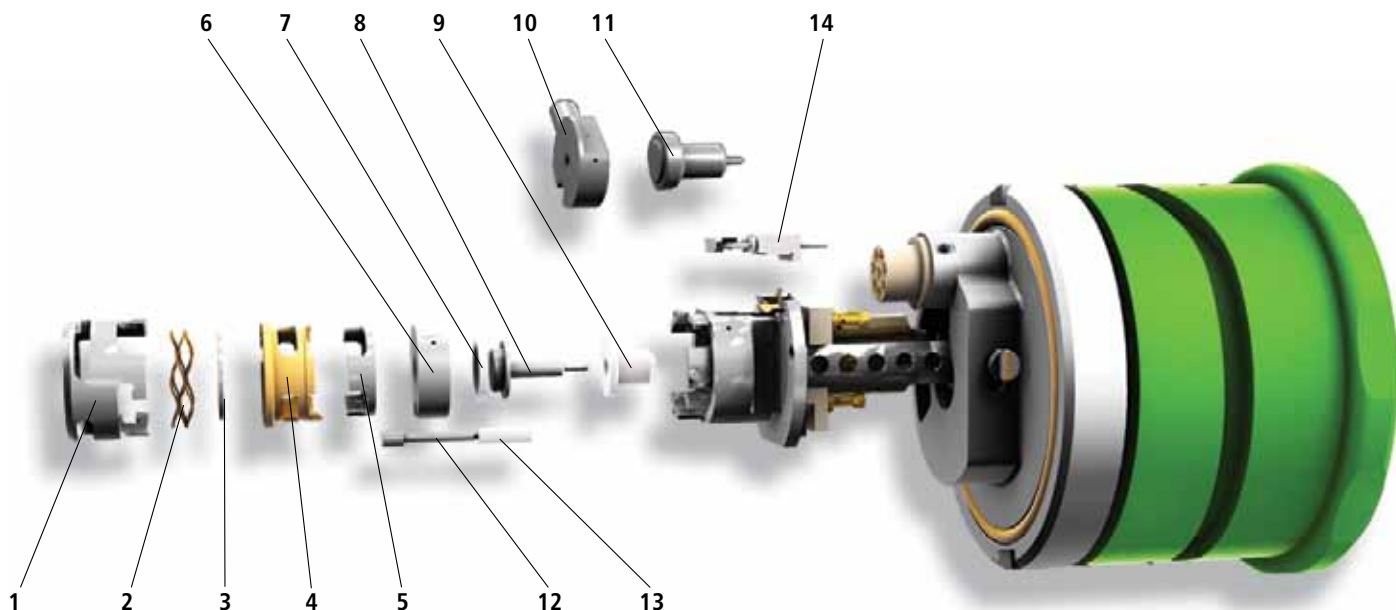
if you're running tough matrices, you won't be slowed down by time-consuming expensive source cleanings and replacements.

### Fewer Parts. Greater Ease.

With very few parts, the SMARTsource is exceptionally robust and easy to maintain. Each component is clearly marked for simple reassembly, and reconfiguring between EI and CI can even be performed in less than 3 minutes with a quick-conversion kit. Since the source is removed from the front of the Clarus SQ 8, the analyzing quadrupole is never exposed, minimizing the risk of contamination to ensure more reliable data.

### Marathon Filament

The Marathon™ Filament is a revolutionary, patent-pending technology developed exclusively by PerkinElmer®, delivering long life even under the most difficult chromatography conditions. After lengthy performance testing and filament research, the new Marathon Filament has been engineered to provide exceptional long life and withstand difficult chromatography conditions. It has high resistance to demanding injections such as headspace or purge and trap and has stood up to challenging applications such as flame-retardant analysis.



1	Source Lens #3	<b>N6480149</b>
2	Source Spring	<b>N6480151</b>
3	Source Lens #2	<b>N6480148</b>
4	Lens Insulator	<b>N6480153</b>
5	Source Lens #1	<b>N6480147</b>
6	El Ion Volume	<b>N6480144</b>
7	Insulator (Ion Volume)	<b>N6480145</b>
8	Repeller	<b>N6480140</b>
9	Insulator (Repeller)	<b>N6480141</b>
10	CI Ion Volume	<b>N6480146</b>
11	CI Ion Volume Disc	<b>N6480154</b>
12	Trap	<b>N6480142</b>
13	Insulator (Trap)	<b>N6480143</b>
14	Marathon Filament	<b>N6470012</b>

<b>El Trap Rebuilt Kit (Numbers 6-9, 12-13)</b>	<b>N6480460</b>
Kit replaces the 6 parts of the El Trap and Ion Volume	
<b>El Source Complete Rebuild Kit (Numbers 1-9, 12-14)</b>	<b>N6480461</b>
Kit replaces the 12 parts of the El Source including the Marathon Filament	
<b>Complete CI Source</b>	<b>N6480130</b>
Consists of a fully assembled CI Source, ready to install	
<b>Complete El Source</b>	<b>N6480132</b>
Consists of a fully assembled El Source, ready to install	
<b>El to CI Upgrade Kit</b>	<b>N6480083</b>
Valve Assembly, source Assembly	
<b>Handle Assembly (Source Blank and Sight)</b>	<b>N6480380</b>
<b>Marathon Filament</b>	<b>N6470012</b>
<b>SQ8 Maintenance Kit</b>	<b>N6480360</b>
Tool kit needed to maintain source	
<b>SQ8 Deluxe Polishing Kit</b>	<b>N6480361</b>
Kit for polishing cleanable source parts	

PerkinElmer, Inc.  
 940 Winter Street  
 Waltham, MA 02451 USA  
 P: (800) 762-4000 or  
 (+1) 203-925-4602  
[www.perkinelmer.com](http://www.perkinelmer.com)



For a complete listing of our global offices, visit [www.perkinelmer.com/ContactUs](http://www.perkinelmer.com/ContactUs)

Copyright ©2008-2011, PerkinElmer, Inc. All rights reserved. PerkinElmer® is a registered trademark of PerkinElmer, Inc. All other trademarks are the property of their respective owners.

008415C\_01